

Home Controller

Wiser Home Control truly integrates electrical, multi-media and telecommunications worlds into one single user-friendly and interoperable solution. Wiser Home Control enables seamless control of music, home theatre, lighting, air conditioning, sprinkler system, curtains and shutters, security systems, and much more. The same graphic user interface can be installed across different control devices, such as colour touch screen, door entry system, personal computer, web tablet, TV with Microsoft Media Centre™, or even mobile phone. Users can run the home in a wiser way via a usability-optimised user interface which is intuitive and enjoyable to use. It can also be controlled by wall-mounted key input or remote controllers.

The Home Controller is the interchange of the entire Wiser Home Control. It is the combination of a controller and a CNI unit. It is an Ethernet and Wi-Fi based controller connecting with the C-Bus system to bring about a whole new level of functionality and connectivity throughout the home. Not only the user can control and monitor the home while at home, but also control and monitor the home through the Internet connection no matter it is LAN or wireless network outside home. The Home Controller incorporates 62/128 bit WEP Encryption, WPA, WPA2 and firewall to ensure security for all communication through the Internet. Users can control the home remotely, while Installers can locally or remotely do configuration and commissioning by using C-Bus Toolkit and PICED software products.



PRODUCT FEATURES

- Ethernet and Wi-Fi based controller for C-Bus system
- Built-in Ethernet router
- Built-in Wi-Fi access point
- Support lighting, air conditioning, multi-room audio and other equipment
- Easy-to-understand Wizard-based user interface graphics
- User control via C-Bus and/or Ethernet/Wi-Fi based devices
- Built-in scene, scheduling and logic programming modules
- Quick commissioning
- Built-in secured remote Internet access (WAN), allowing easy reprogrammable from outside your home/building by installers
- "Always-on" hardware platform



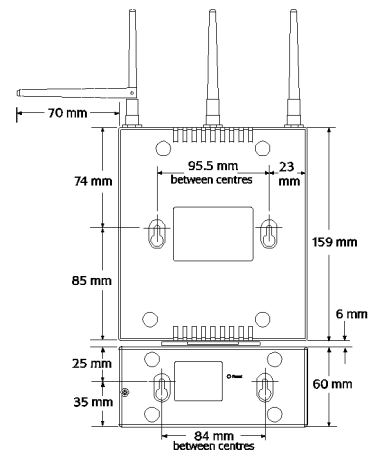
Home Controller

HARDWARE FEATURES (CONTROLLER)

CPU Chipset	Ralink, Arm7 300MHz processor
Interface	WAN : 1x10/100Mbps port LAN : 4x10/100Mbps port
LED Indicators	Power, Security, Wireless, Router, DIAG, Internet, LAN1, LAN2, LAN3, LAN4
Antenna	Three external 2dBi RSMA detachable antenna
AP/Router mode control	It can be switched from the router mode to AP mode

HARDWARE FEATURE (CNI)

Interface	LAN : 1x10Mbps port Others : 1x C-Bus Terminal
LED Indicators	Unit LED, C-Bus LED



SOFTWARE FEATURES

Operating System	Linux
Internet Connectivity	<ul style="list-style-type: none"> • DHCP client/server • NAT, PPPoE Client • Dynamic DNS
Security	<ul style="list-style-type: none"> • 64/128 WEP • 802.1x • MAC address filtering • SPI firewall • WPA, WPA2, TKIP, AES • Pre-WPS
Firewall	Packet Filtering, Directional Protection, Port Forwarding, Port Management, Denial of Service Protection, uPNP Internet Gateway Device Compliant
C-Bus Connectivity	Ethernet (CNI) connection to C-Bus. Single network control. Monitor and controls up to 255 Group Addresses. Supports multiple C-Bus applications.
Video Connectivity	Forwarding of sequences of JPEG still frames from a range of video servers. Full http-authentication support.
Management	Web-based management

SPECIFICATIONS

Operating Temperature	0°C to 55°C
Operating Humidity	90%, non-condensing
Power supply – output	DC 12V, 1A
Dimension	225 (L) x141.5 (W) x 30 (D) mm
Weight	---
Certification	FCC, CE

CATALOGUE NUMBER	DESCRIPTION
WHC-5918	Home Controller